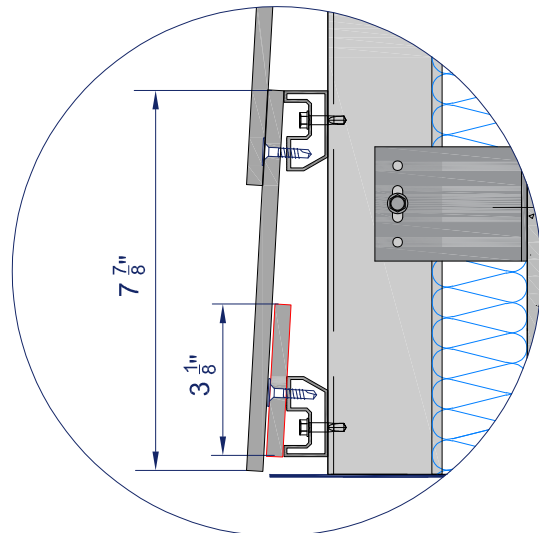
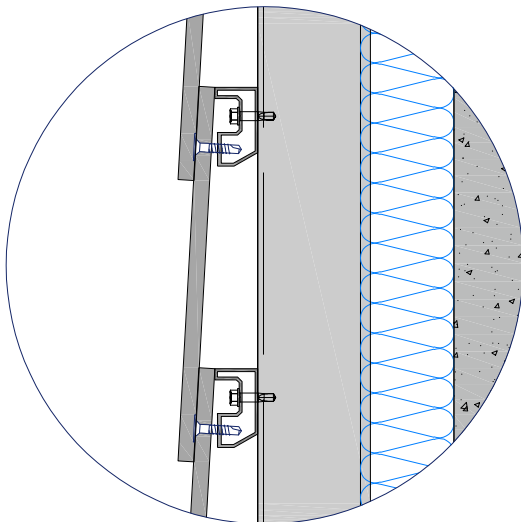
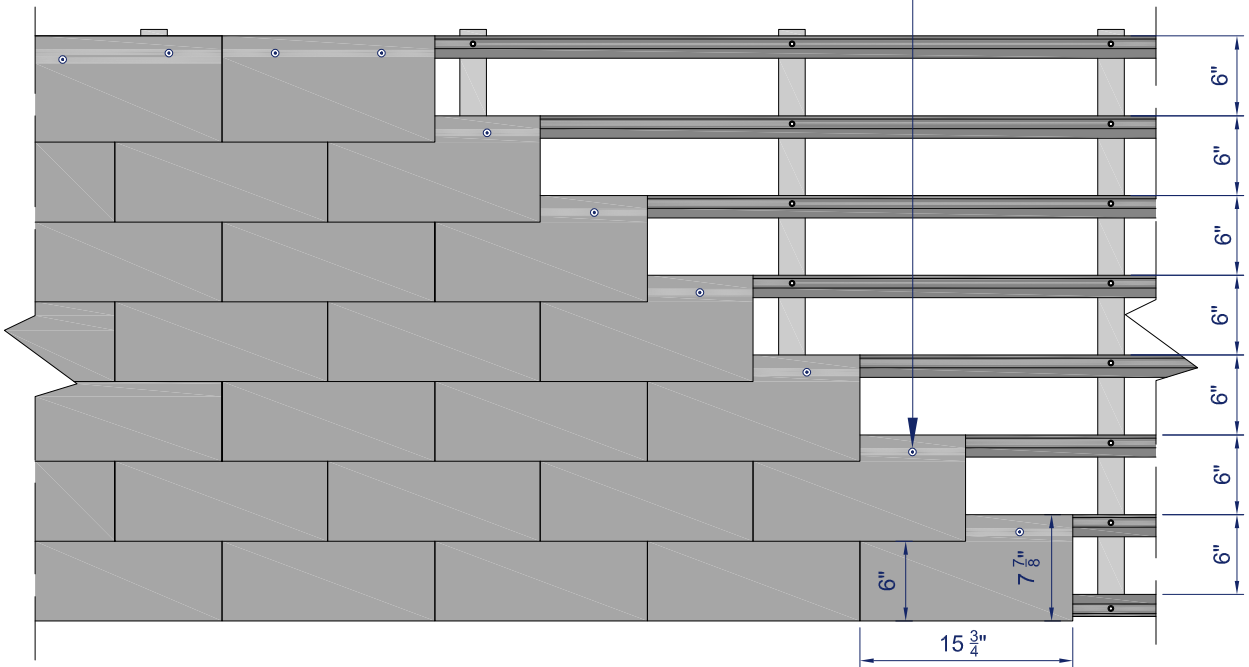
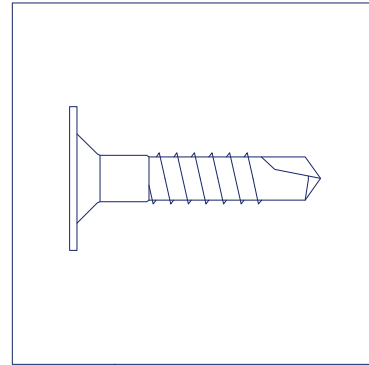
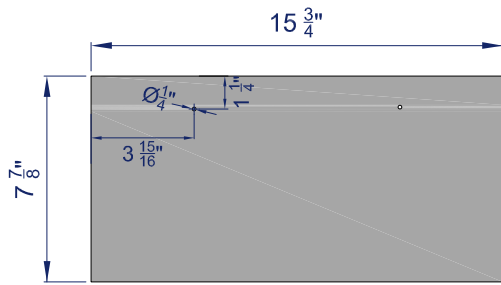


CUPACLAD® 101 - LOGIC

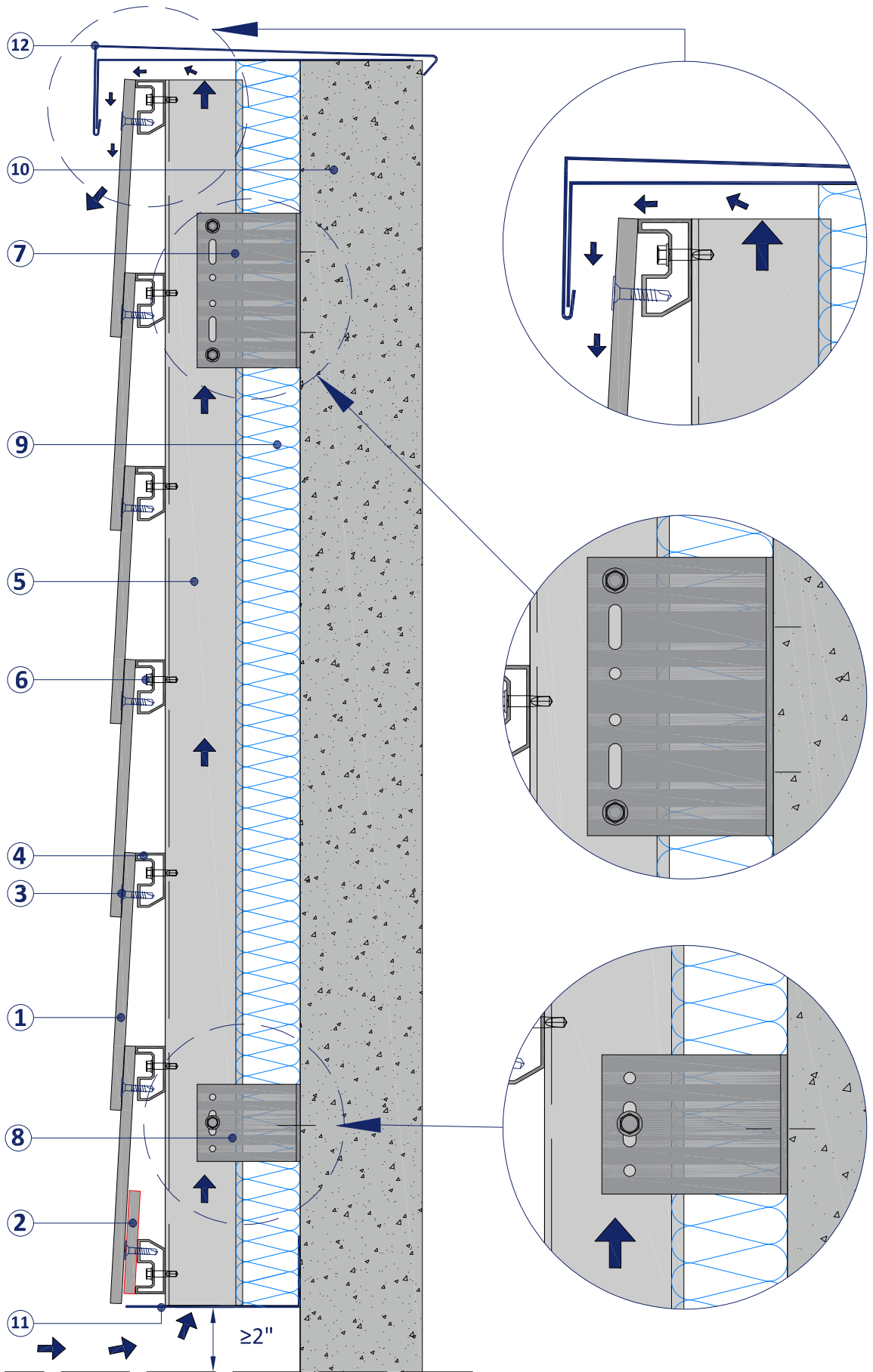
16"x 8" (nominal)



CUPACLAD® 101 - LOGIC
16"x 8" (nominal)

System details

CUPACLAD
by CUPA GROUP



- 1. CUPA PIZARRAS Natural slate
- 2. First course slate
- 3. Self-drilling CUPACLAD® 101 screw
- 4. Horizontal CUPACLAD® 101 profile
- 5. "L" shape vertical profile 2"x 2 3/8"

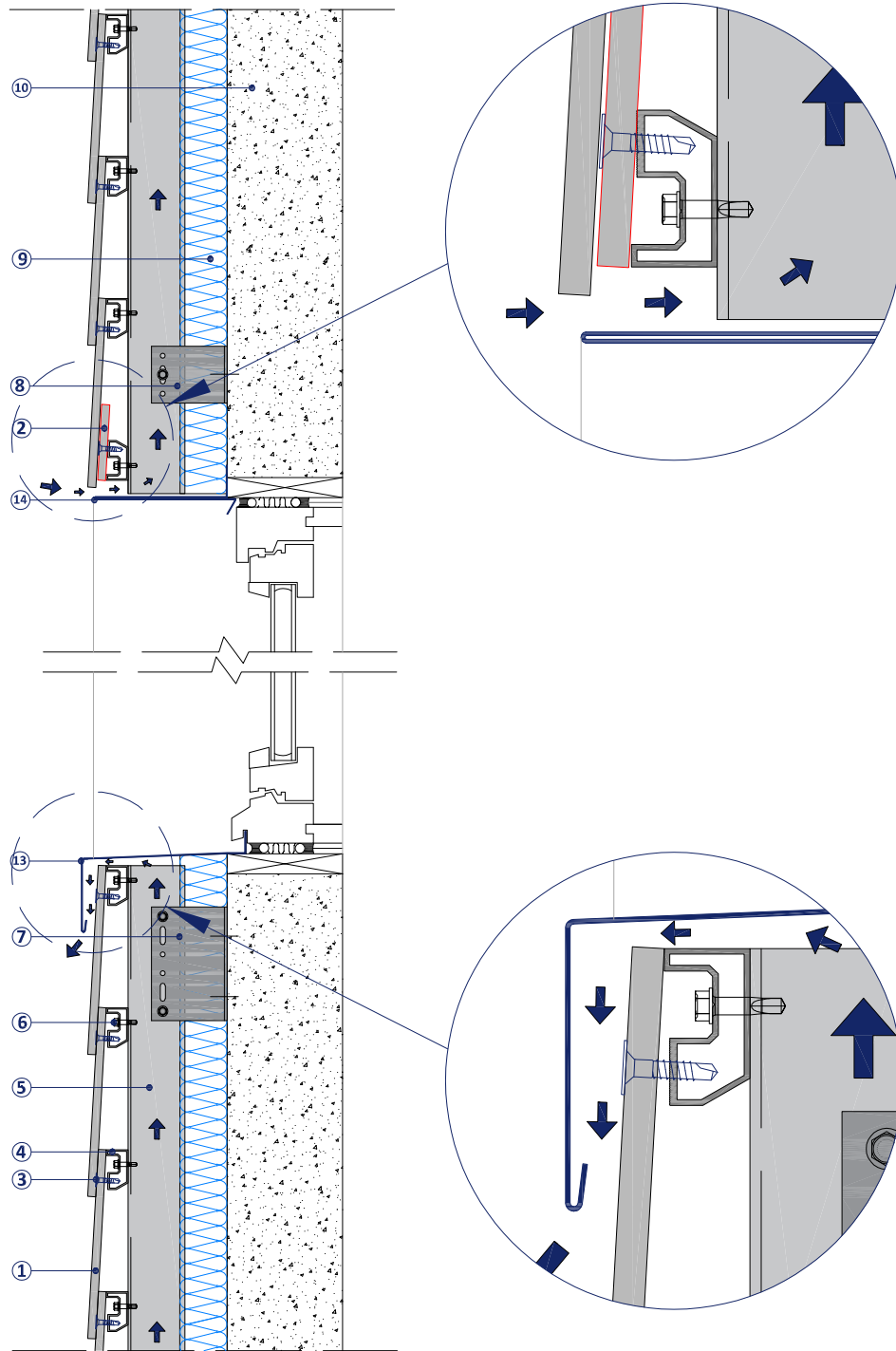
- 6. Self-drilling Inox screw
- 7. "Fixed point" metal bracket
- 8. "Sliding point" metal bracket
- 9. Insulation
- 10. Load bearing wall

- 11. Ventilated flashing
- 12. Top metal flashing
- 13. Sill metal flashing
- 14. Metal lintel flashing
- 15. Metal jamb flashing
- 16. Metal flashing

CUPACLAD® 101

Coping and base detail

CUPACLAD
by CUPA GROUP



- 1. CUPA PIZARRAS Natural slate
- 2. First course slate
- 3. Self-drilling CUPACLAD® 101 screw
- 4. Horizontal CUPACLAD® 101 profile
- 5. "L" shape vertical profile 2"x 2 3/8"

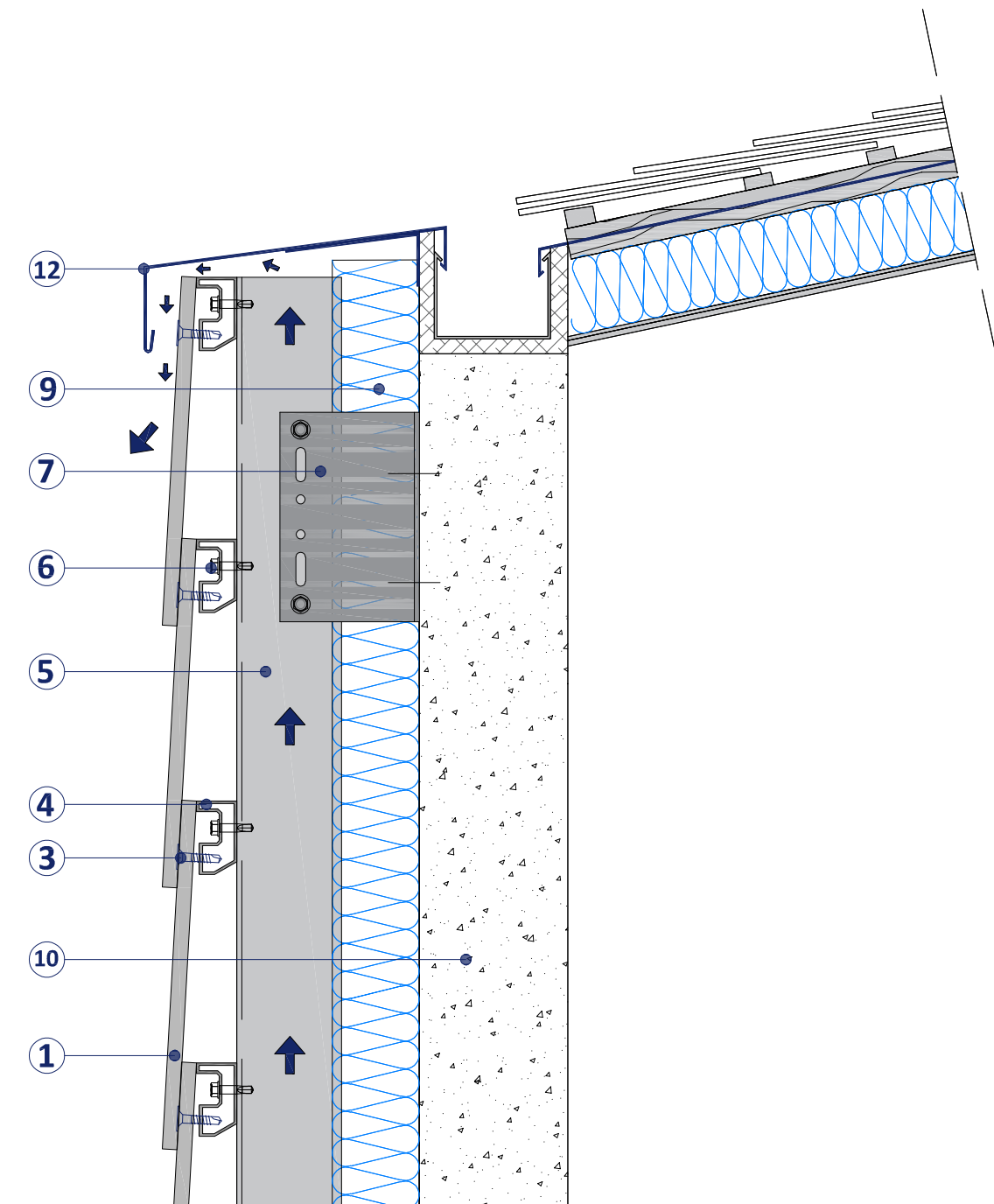
- 6. Self-drilling Inox screw
- 7. "Fixed point" metal bracket
- 8. "Sliding point" metal bracket
- 10. Load bearing wall

- 11. Ventilated flashing
- 12. Top metal flashing
- 13. Sill metal flashing
- 14. Metal lintel flashing
- 15. Metal jambs flashing
- 16. Metal flashing

CUPACLAD® 101

External window reveal

CUPACLAD
by CUPA GROUP



1. CUPA PIZARRAS Natural slate
2. First course slate
3. Self-drilling CUPACLAD® 101 screw
4. Horizontal CUPACLAD® 101 profile
5. "L" shape vertical profile 2"x 2 3/8"

6. Self-drilling Inox screw
7. "Fixed point" metal bracket
8. "Sliding point" metal bracket
10. Load bearing wall

11. Ventilated flashing
12. Top metal flashing
13. Sill metal flashing
14. Metal lintel flashing
15. Metal jamb flashing
16. Metal flashing

CUPACLAD® 101

Top flashing for pitched roof

CUPACLAD
by CUPA GROUP

